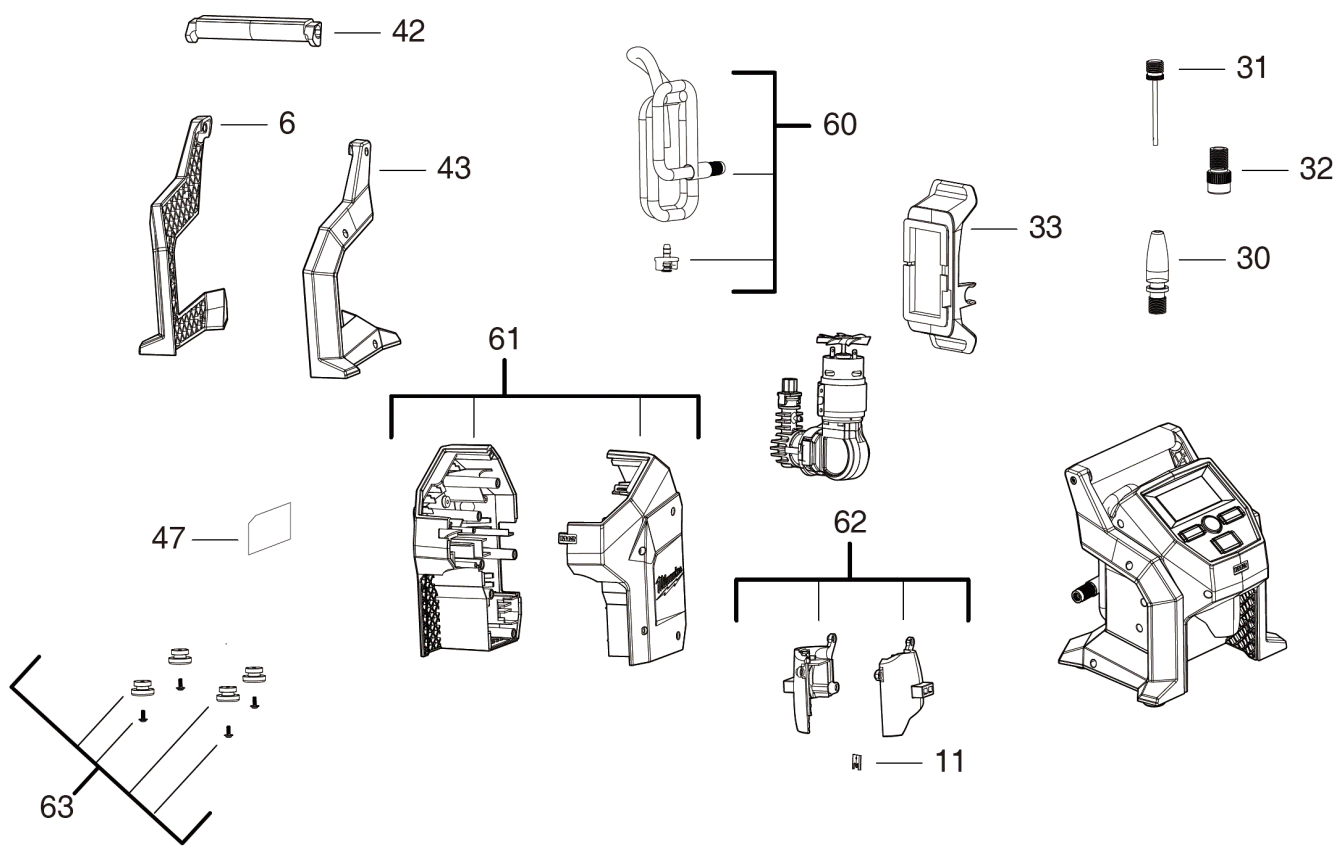


M12BI-0 BRUSHED INFLATOR XXX

4933464124 - M12BI-0 - 4000467479





Position	Quantity	Description	Part number	EAN
0006	1	FRAME	4931465569	4058546236694
0011	1	CONNECTOR	4931436292	4002395252909
0030	1	ADAPTOR	4931465570	4058546236700
0031	1	ADAPTOR	4931465571	4058546236717
0032	1	ADAPTOR	4931465572	4058546236724
0033	1	HOLDER	4931465573	4058546236731
0042	1	HANDLE	4931465574	4058546236748
0043	1	FRAME	4931465575	4058546236755
0047	1	RATING PLATE	4931465580	4058546236809
0060	1	HOSE	4931465576	4058546236762
0061	1	HOUSING	4931465577	4058546236779
0062	1	BATTERY BOX	4931465578	4058546236786
0063	1	RUBBER FOOT	4931465579	4058546236793